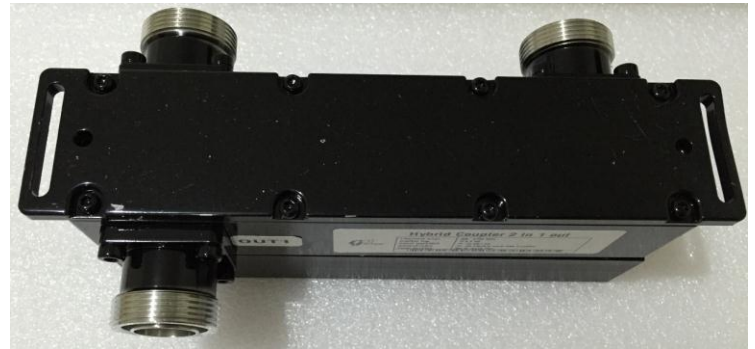


## Hybrid Combiner 2 in & 1out

Model : GWC-HC-2/1-200-(DF)

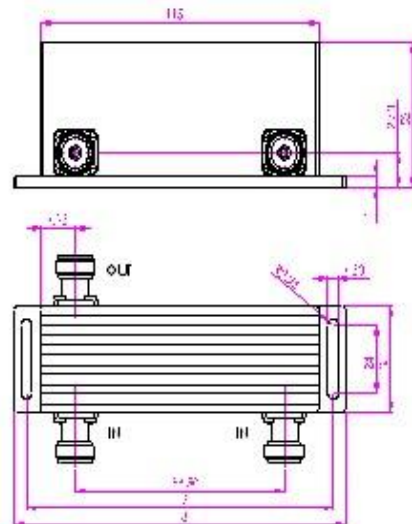
### Feature:

- \*High IMD, suitable for indoor & outdoor
- \*strong structure, small size
- \*Strict process control
- \*High reliability, stability
- \*Dust, water, shock, lighting strike resistance

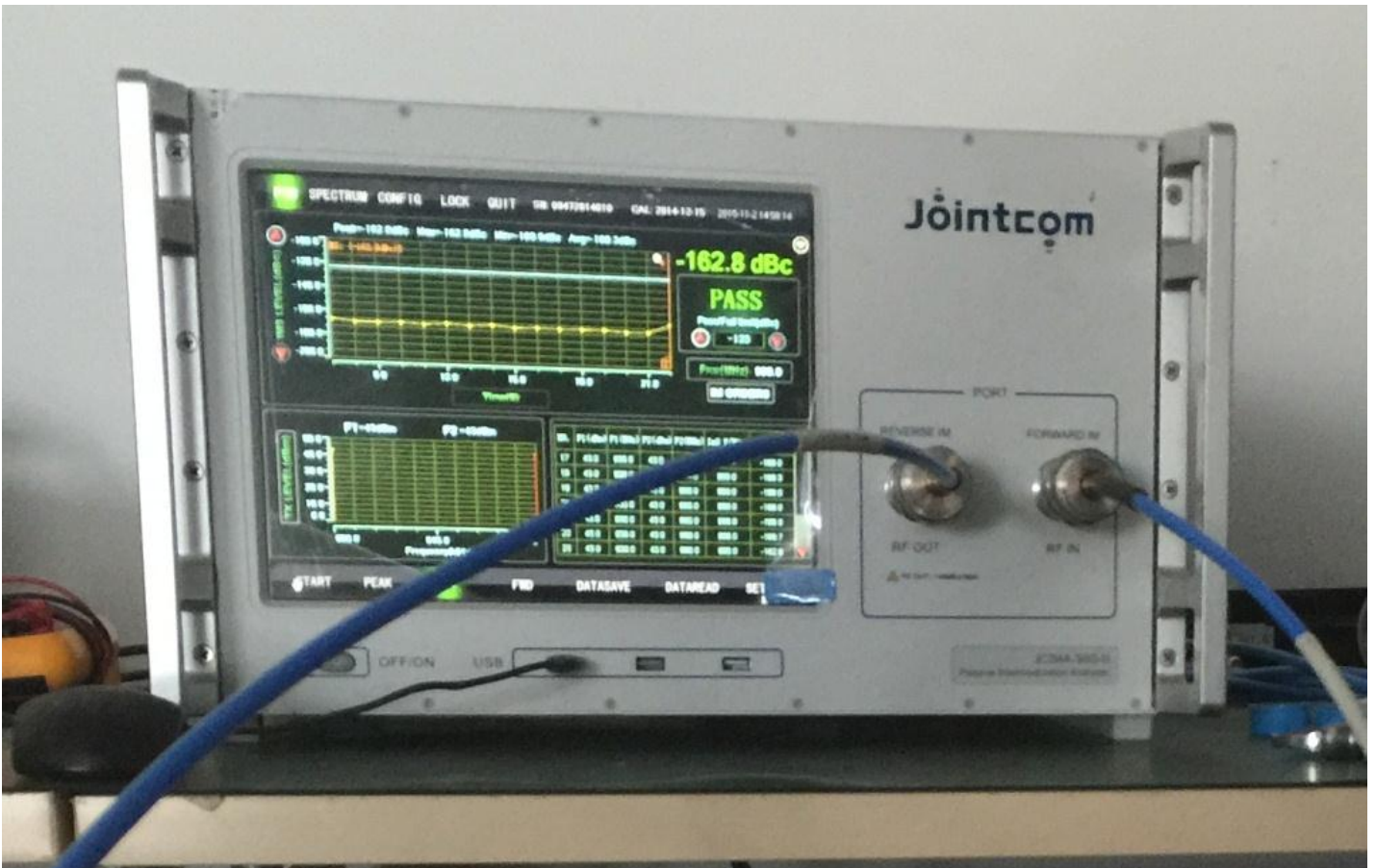


### Specification : GWC-HC-2/1-200-(DF)

Name	Hybrid 2in & 1out
Frequency Range	698 ~ 2700MHz
Insertion loss	$\leq 3\text{dB}$
Split Loss	$\leq 0,1\text{ dB}$
Pass Band Flatness	$\leq 0.4\text{dB}$
VSWR	$\leq 1.25$
Isolation	$> 30\text{ dB}$
IMD	$\leq -150\text{dBc}@2\times 43\text{dBm}$
Protection Level	IP65
Power Capacity	300W
Impedance	$50\Omega$
RF Connector	DIN - Female
Operation Temperature	$-20\sim+65^{\circ}\text{C}$



## Factory Test Report : ( $IMD \leq -160 \text{ dBc}$ )



PIM Tester JointCom